


Drawing No.	Rev.	Date	Page
SL-FLA640WAA-D3A-A	V7	2021/12/24	1/6

APPROVAL SHEET

Part No: **SL-FLA640WAA-D3A-A**

NOTE :

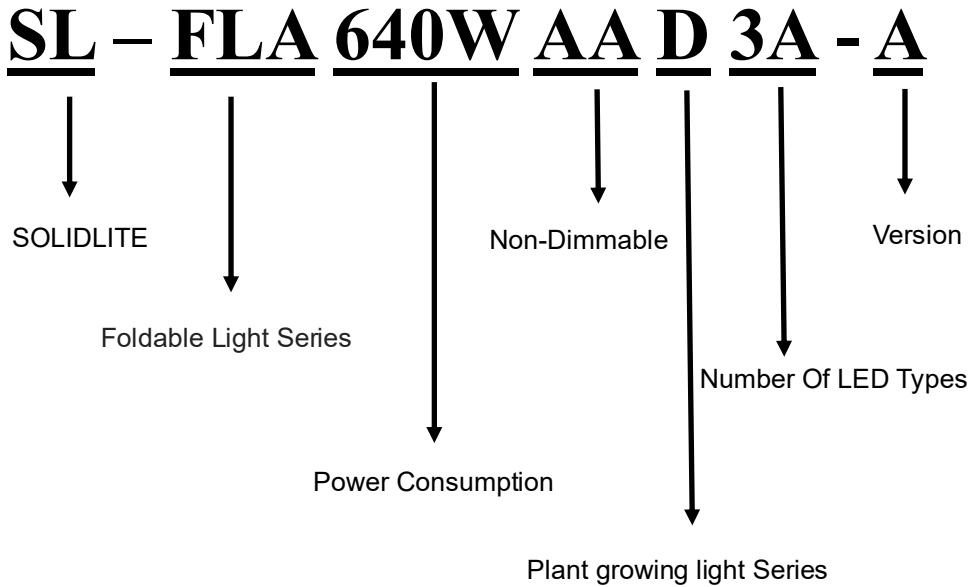
Plant Growth LED Light

MAKER			CUSTOMER	
				
R&D	QA	Sales	Checked	Approved

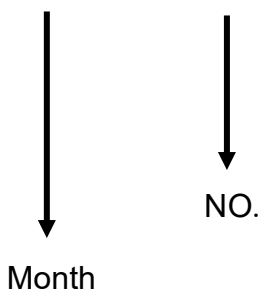
Prepared	Checked	Approved
Rachel Lee	Jacky Shih	Kenneth Wu


Drawing No.	Rev.	Date	Page
SL-FLA640WAA-D3A-A	V7	2021/12/24	2/6

Description of P/N No.



Description of Lot.



Solidlite Corp. 
 P/N : _____
 Lot : _____
 Date: _____ Rank: _____
 Q'ty : _____ QA : _____

Drawing No.	Rev.	Date	Page
SL-FLA640WAA-D3A-A	V7	2021/12/24	3/6

1、Product Info：

[Product Name]: Hornet 640F

[Product Description]：Foldable Plant Growing LED Light 640W

[Product Number]：SL-FLA640WAA-D3A-A

[AC Input Power]：100~277VAC 50/60Hz 640 Watts

[Beam Angle]：120°

[Product Photo]：See Below

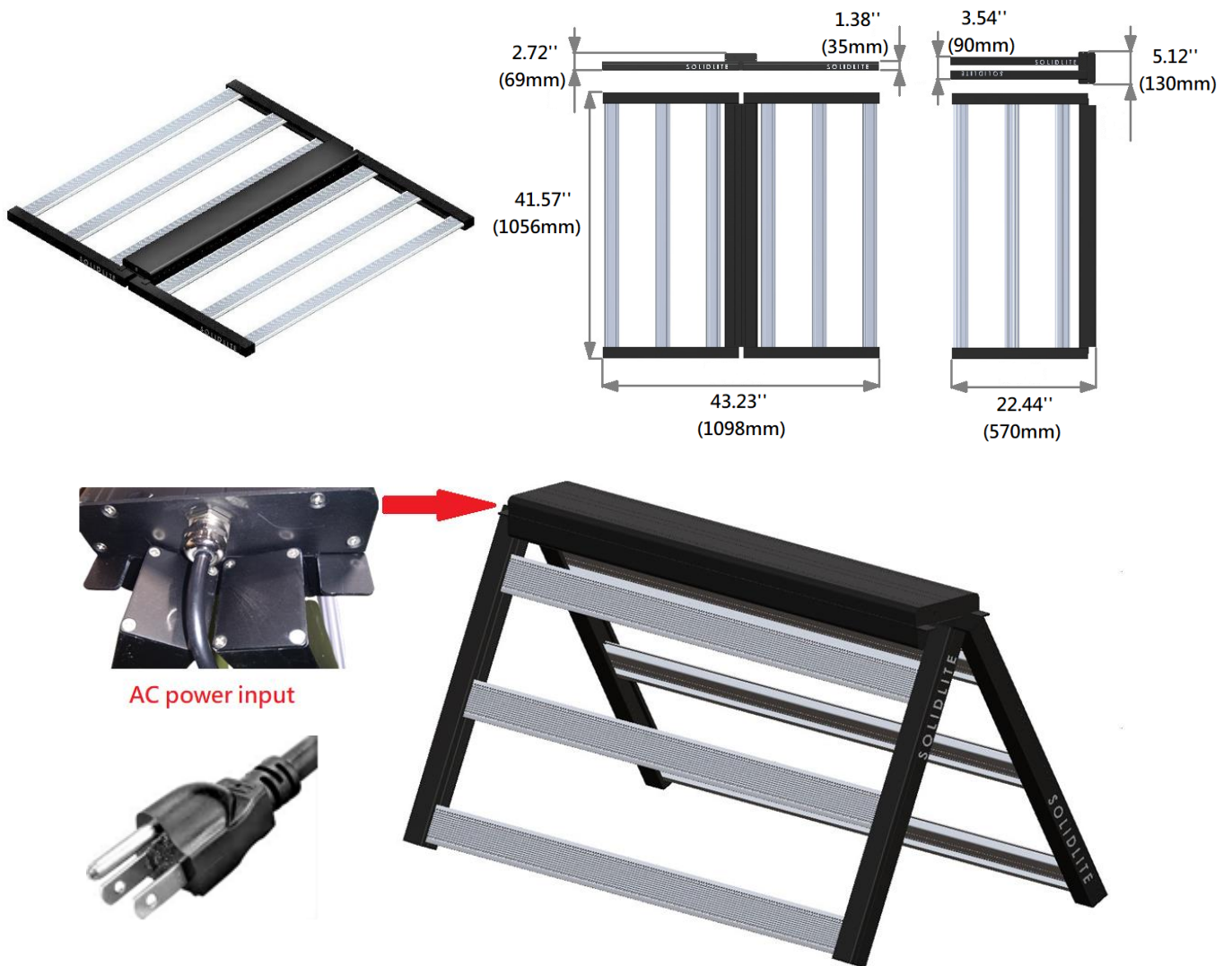
[Product Size]：(Unfold) 43.23 x 41.57" (1098 x 1056 mm)

(Closure) 22.44 x 41.57" (570 x 1056 mm)

[Net Weight]：33.51 lbs (15.2 kgs)

[Power Cable]：18AWG x 3C x7.6 ft (2.3 meter)

[AC Power Plug]：US Plug Type B



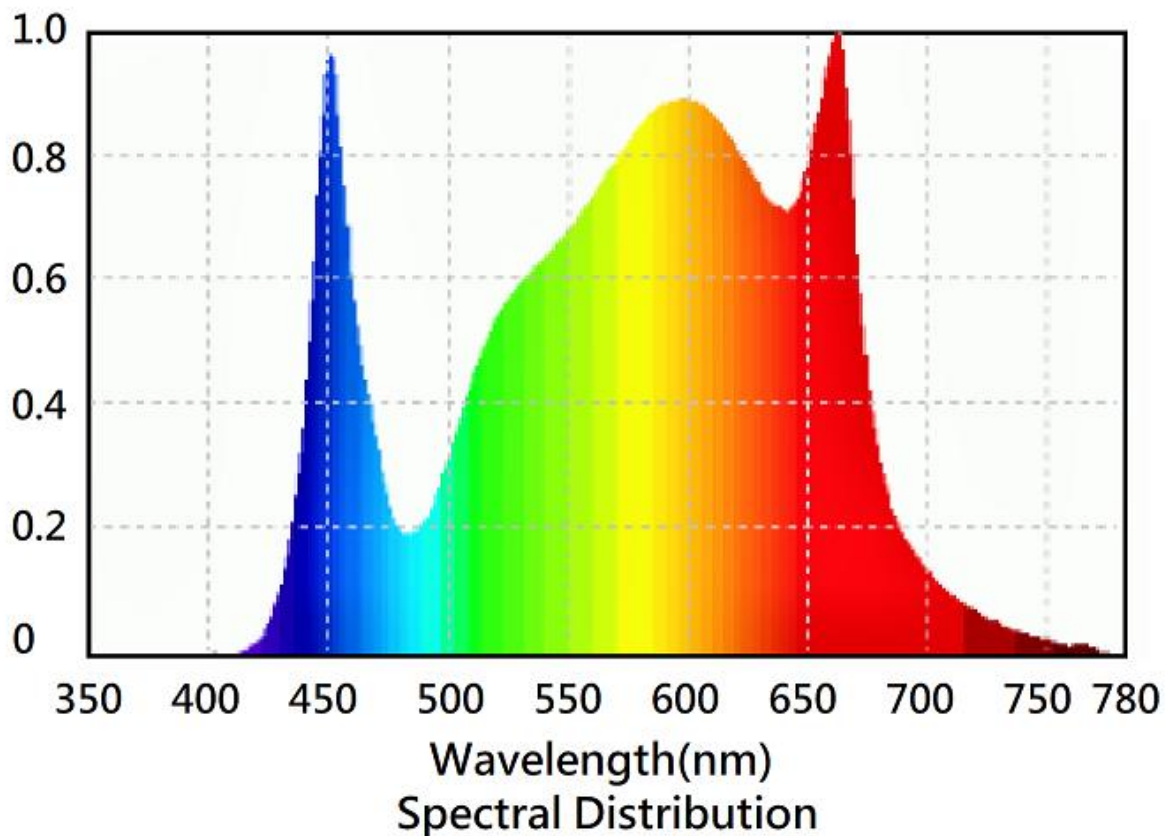
2、Product Spec.：

Product No.	SL-FLA640WAA-D3A-A
Input Voltage	100~277VAC
Power Consumption	640Watts
Power Factor (Typ.)	PF \geq 98%/115VAC，PF \geq 95%/230VAC，PF \geq 94%/277VAC
Operation Temperature	-20 $^{\circ}$ C~40 $^{\circ}$ C
Beam Angle	120 Degree

Photosynthetic Photon Flux Efficiency (Estimated Value)

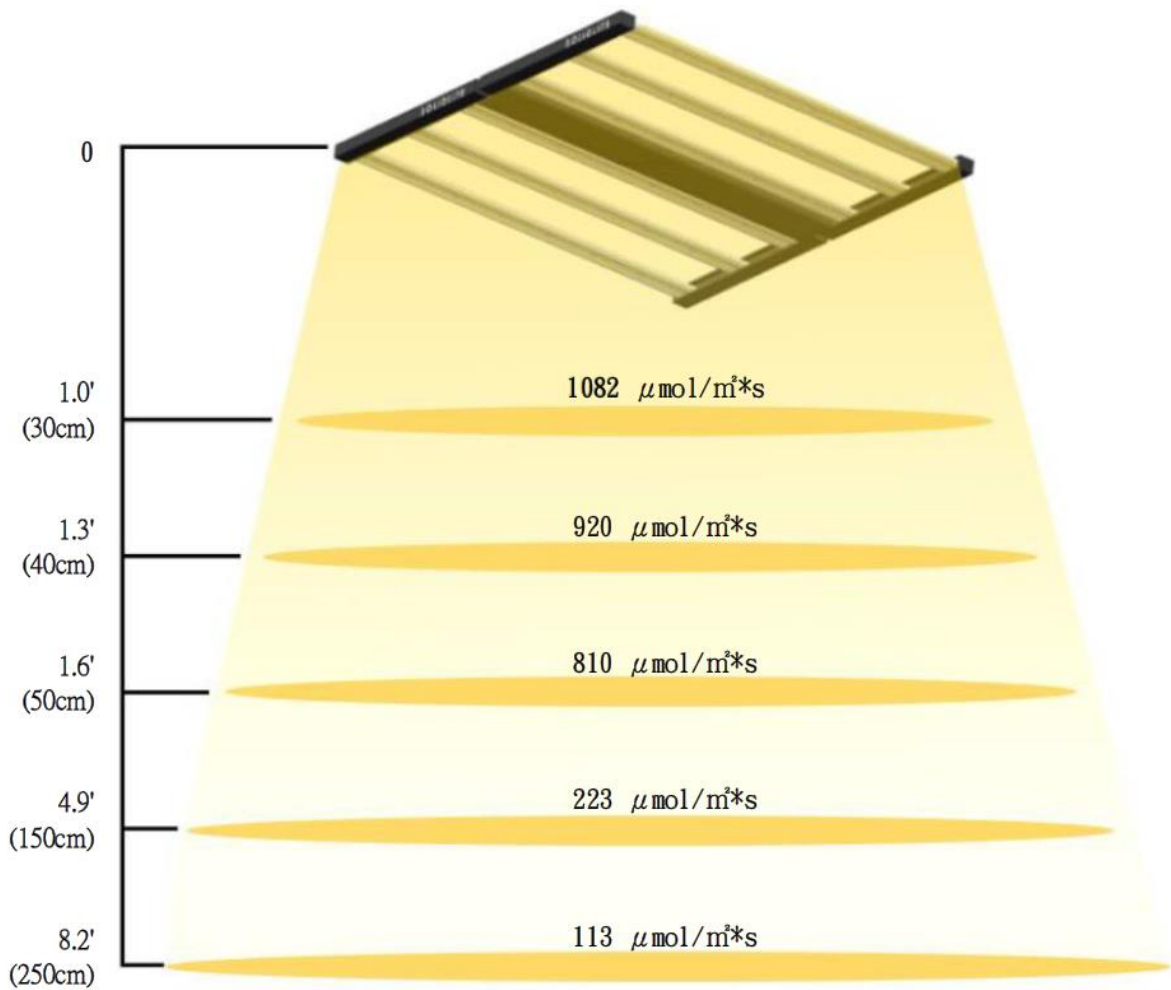
Wavelength Range	PPF Efficiency (μ mol/J) (Typ.)
400~700nm	2.6

Relative Spectral



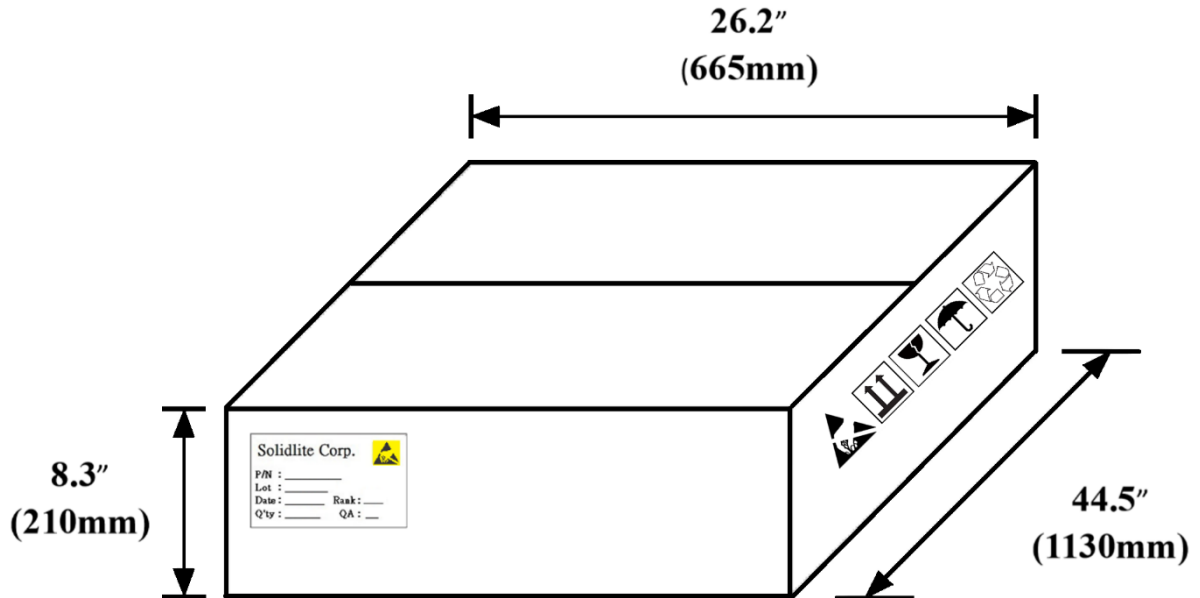
Photosynthetic Photon Flux Density (Estimated Value)

Distance	PPFD ($\mu\text{mol}/\text{m}^2\cdot\text{s}$) (Typ.)	Distance	PPFD ($\mu\text{mol}/\text{m}^2\cdot\text{s}$) (Typ.)
1.0 ft (30cm)	1082	3.28 ft (100cm)	418
1.15 ft (35cm)	1034	4.92 ft (150cm)	223
1.31 ft (40cm)	920	6.56 ft (200cm)	153
1.48 ft (45cm)	896	8.20 ft (250cm)	113
1.64 ft (50cm)	810	9.84 ft (300cm)	76



Drawing No.	Rev.	Date	Page
SL-FLA640WAA-D3A-A	V7	2021/12/24	6/6

3、Product Package Information：



1Piece / Carton

N.W: 33.51 lbs (15.2 Kgs)

G.W: 43.21 lbs (19.6 Kgs)